



US Micro Products
Electronic Products for the OEM

TRACKBALL PRODUCT SPECIFICATION

PART NUMBER:	USMP-DS509423
DESCRIPTION:	38mm (1.5") Panel Mounted UP2 Scraper Ring Miniature Trackball

ISSUE DATE	APPROVED BY (Customer Use Only)	CHECKED BY	PREPARED BY
PROPRIETARY NOTE:	THIS SPECIFICATION IS THE PROPERTY OF US MICRO PRODUCTS AND SHALL NOT BE REPRODUCED OR COPIED WITHOUT THE WRITTEN PERMISSION OF US MICRO PRODUCTS AND MUST BE RETURNED TO US MICRO PRODUCTS UPON ITS REQUEST.		

DRAWING NUMBER
DS509423

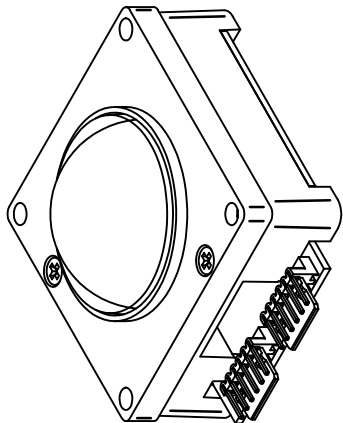
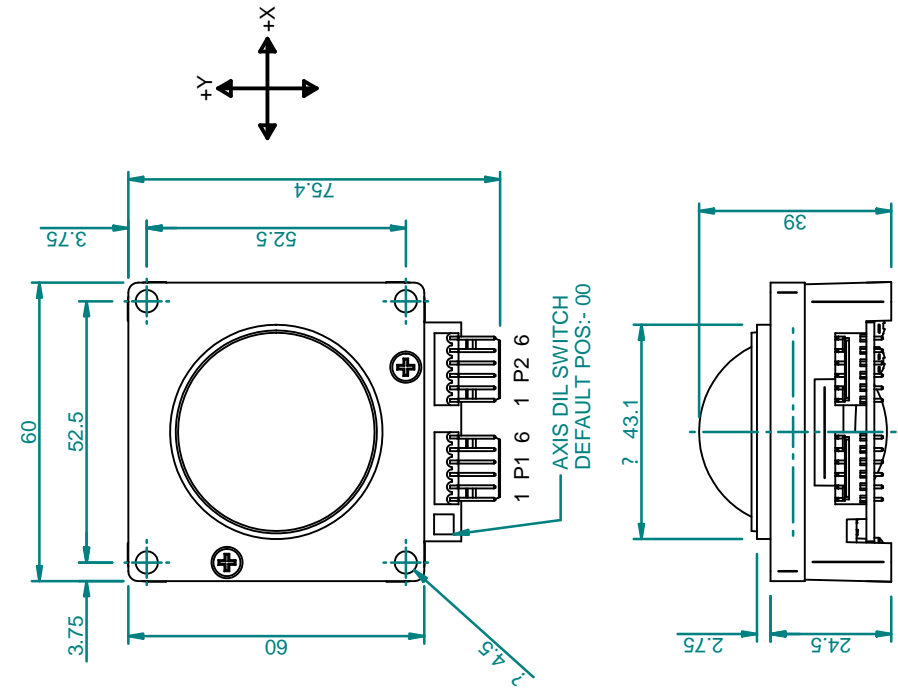
DATA SHEET



USED ON
CC506-1062

D or
CAT.No

G.A.
GAT8426



CONFIDENTIAL

SPECIFICATION
 BALL ~ Ø1.5" (38mm) PHENOLIC, BLACK.
 SEALING ~ P.T.F.E. LOADED ACETAL SCRAPER RING.
 ENCLOSURE ~ MOULDED ABS, TOP PLATE & CHASSIS, BLACK.
 RESOLUTION ~ 800 EDGES PER BALL REVOLUTION.
 CONNECTOR ~ 6 PIN, 90° HEADER, 2.5 PITCH, MOLEX 5046 SERIES.
 OUTPUT ~ AUTODETECTS TO PS2 OR USB DEPENDENT ON HOST.

CONNECTION DETAILS

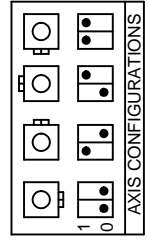
SWITCH INPUT (P1):

PIN	DESCRIPTION
1	0V GND
2	LEFT SWITCH
3	0V GND
4	RIGHT SWITCH
5	0V GND
6	MIDDLE SWITCH

UNIVERSAL OUTPUT (P2):

PIN	DESCRIPTION
1	D-/DATA (USB/PS2)
2	D+/CLOCK (USB/PS2)
3	EARTH GROUND
4	+5V
5	SIGNAL GROUND
6	EARTH GROUND

MATING CONNECTORS (NOT SUPPLIED)
 6 WAY SOCKET HOUSING, MOLEX 5051 SERIES.
 CRIMP TERMINAL, MOLEX 4809 SERIES.



APP.	MATERIAL	FINISH	TOL.	SCALE	1:1	ISSUE	A	1	1A	1B
CHKD.			±1	DIMNS	MM	DATE	11.05.06	30.08.06	10.10.06	5.1.07
DRAWN A. ROACH						CHANGE	NEW DWG	PROD ISS	ECN1418	ECN1427
						TITLE		SIZE		DRAWING NUMBER
						1.5" TRACKBALL (TBPT/38)		A3		DS509423



In North America
 (800) 741-7755
 sales@usmicroproducts.com
 www.usmicroproducts.com



DESIGN COPYRIGHT RESERVED

DP(10) 01 06.04



Displays

US Micro Products is an industrial distributor specializing in engineered display solutions. We dedicate ourselves to providing the best in displays for the medical, industrial, gaming, automotive, aerospace, military and consumer markets.

OLEDs



TFT Display



Open Frame Monitors



Passive LCDs



Multitouch



Touch Screen



As our customer, you receive expert knowledge, support and service. Our technical sales staff and experienced design engineers provide answers to your questions and engineered solutions to meet your display needs.

Peripheral Devices

Our full line of peripheral devices includes keyboards, trackballs and printers. These rugged industrial products are designed to meet the rigorous demands of your equipment and are available in a variety of standard and custom options.

Keyboards



Trackballs



Aerospace Trackballs



Printers

